



Well Engineering Partners

An Overview

Prepared by: Henny Cornelissen – June 2013

WEP Company information

- Founded in 1996
- Offices in Hoogeveen, Den Haag and Muscat
- Merged with PGMi in January 2011 to become the largest independent WE consultancy in the NL & Mainland Europe
- > 35 employees: 1-40 yrs experience, BsC/MsC/PhD
- Large network of specialists
- ISO certified





WEP Company information

Owner of:

- Rig Rider – Human process control 100%
- SOGOS Consultants – Training & manpower 50%
- HWT – Rig & drilling innovation 25%

Our business

Core Activities & area's of expertise

- Drilling engineering & well design
- Integrated project management
- Drilling management
- QHSE
- Solution (salt) mining
- Geothermal well engineering
- CO₂ and gas storage
- New technology: casing drilling, composite casing
- Post Macondo operating procedures
- Human Process Control

Expert associates

Extensive Network of experts

- Mud and cement engineering
- Production Technology / Chemistry
- Facilities Engineering
- Completion design
- Reservoir engineering
- Prototyping
- Corrosion



Some of our Documentation & Software

- Well Design Manual
- Casing Design Manual
- Mud & cementing manual
- Well control manual
- Corrosion manual

- Wellplan and Stress Check
- Safeti.nl for Quantitative Risk Assessment
- Virtue Well, production software
- Solidworks, engineering software

Our Philosophy

Engineered approach to well construction in order to reduce well costs:

- Performance drilling
- Industrialise well construction process
- Training & awareness
- Standardisation of materials & services

Performance Drilling

- Team working, Suppliers Alliance
- State of the art rigs
- Advanced muds
- PDC bits, high Rate of Penetration
- Downhole motor plus string rotation
- Shoe to shoe drilling, limited bit changes
- Fast rig ups, BOP pre-tested
- **Performance coaching**

Drilling Projects Oil and Gas

Very experienced in oil & gas well drilling projects



2009 campaign (4 wells)
2012 campaign (2-3 wells)

DKK, Q2 2012



STERLING F17-9 exploration
RESOURCES well, Q1 2012

Salt Drilling Projects

Large experience in salt well drilling projects



2011 Q4: TR-9



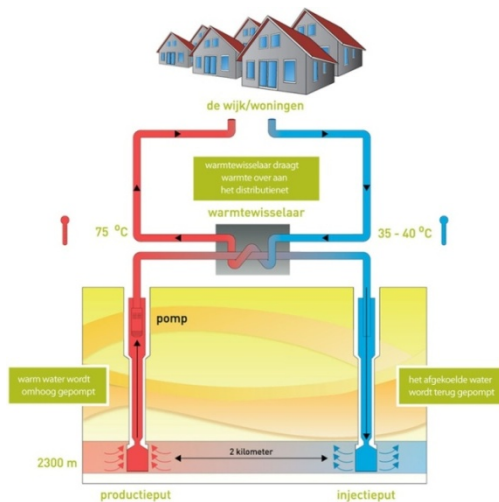
2012: PA32/33, PA31ST



2012: BAS 3ST

Geothermal Drilling Projects

Carried out many geothermal drilling projects





Some of our Customers

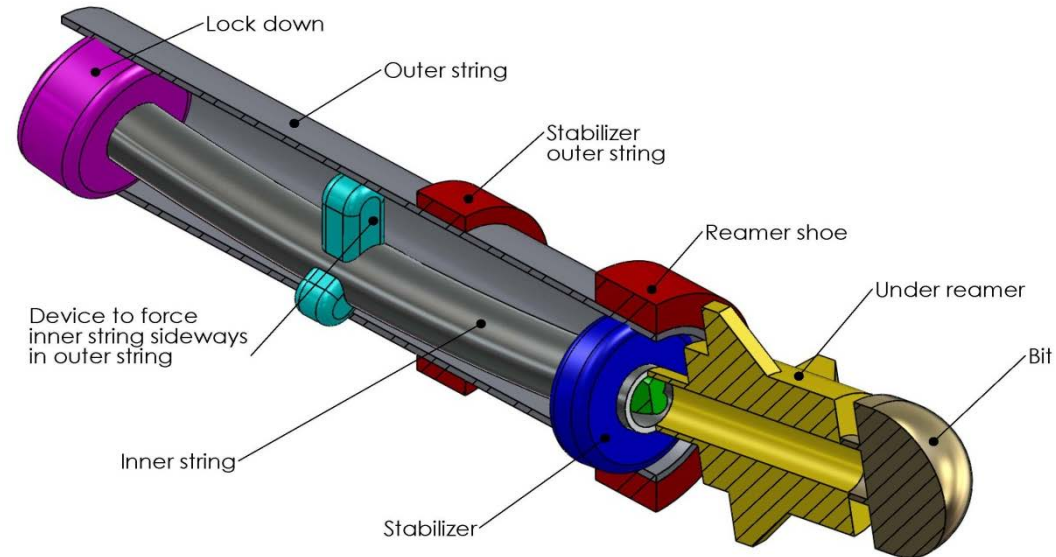


MAGHREB Petroleum Exploration S.A



Your Partners in Value Creation

- Huisman WEP Joint Venture
- Enhanced Casing Installation
- Composite Pipe
- Shale Fracking
- Rig Automation
- Geothermal solutions





Well Engineering Partners

Your partners in value creation

www.wellengineering.nl